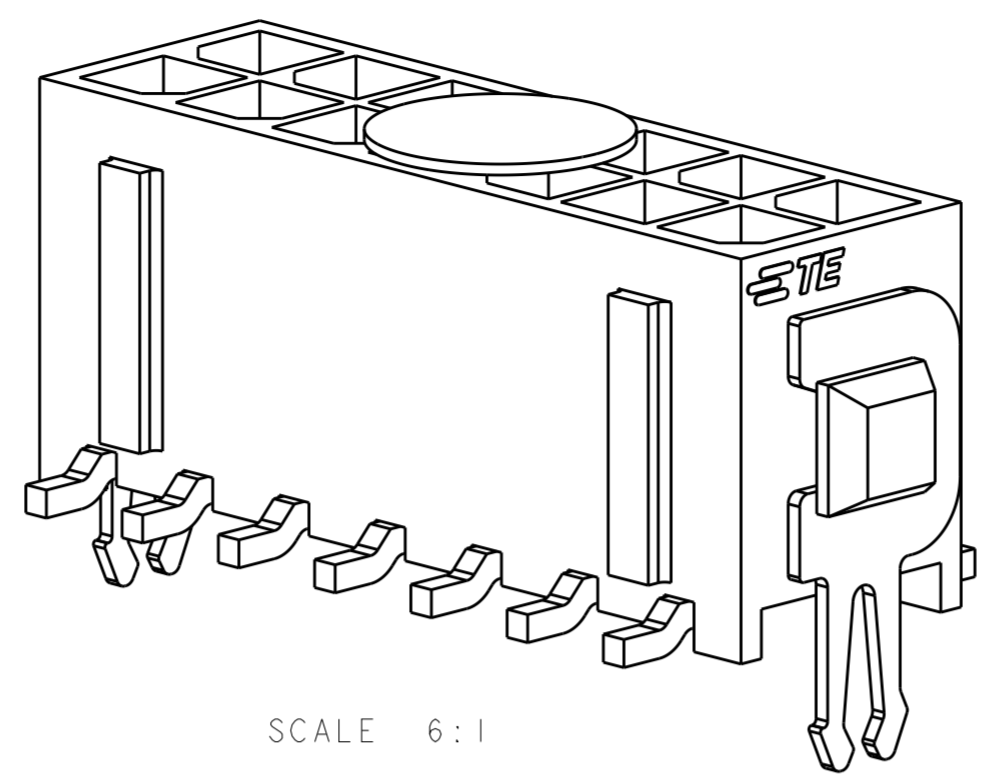
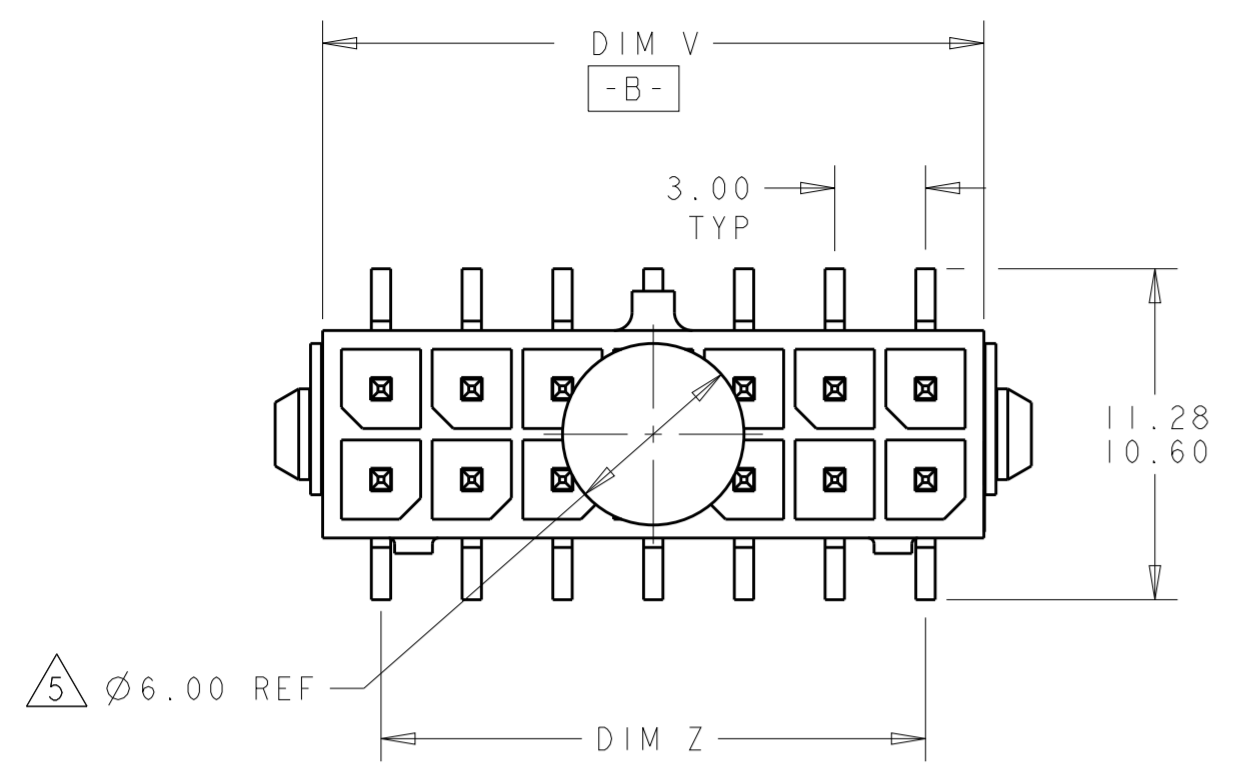
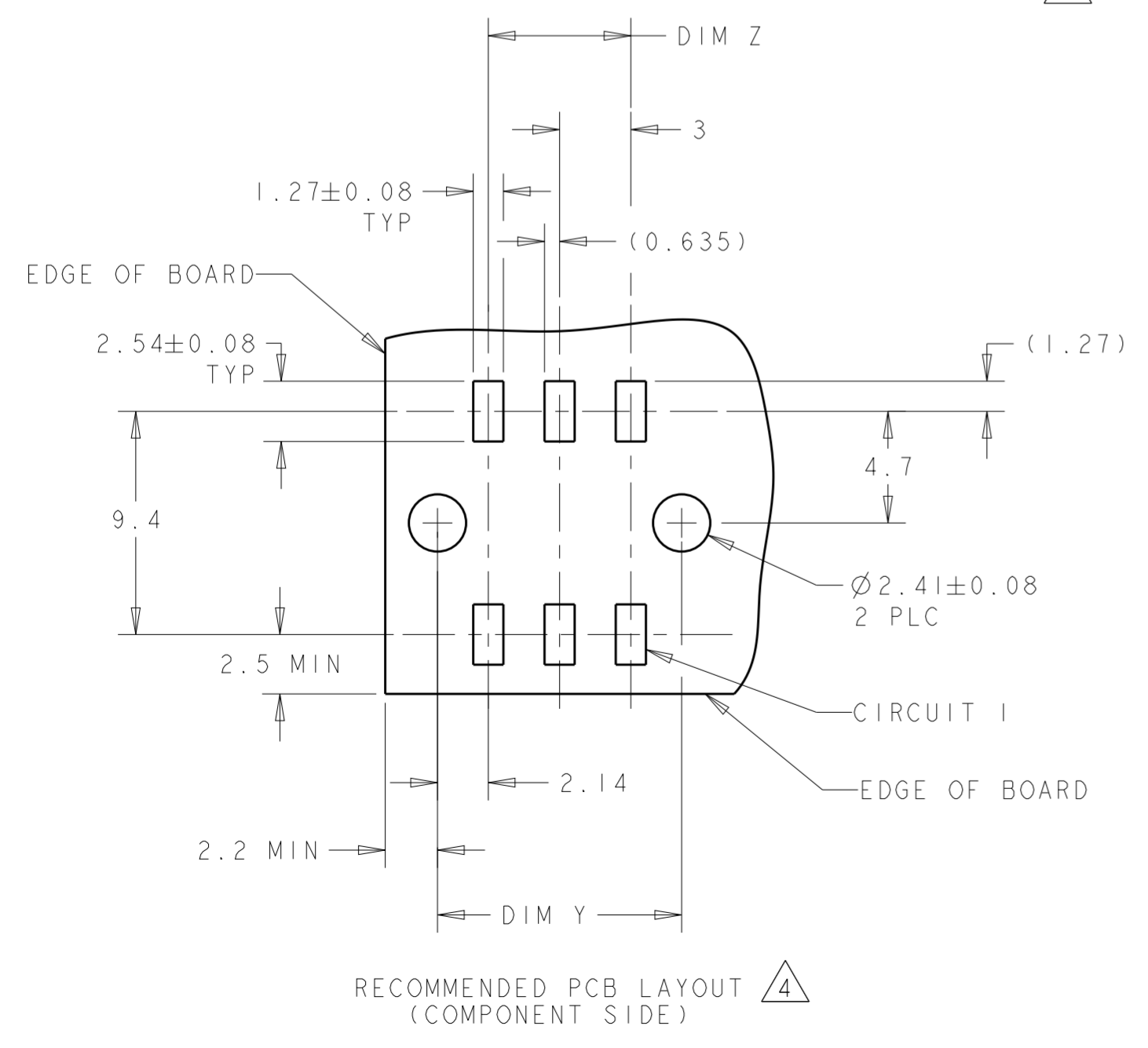
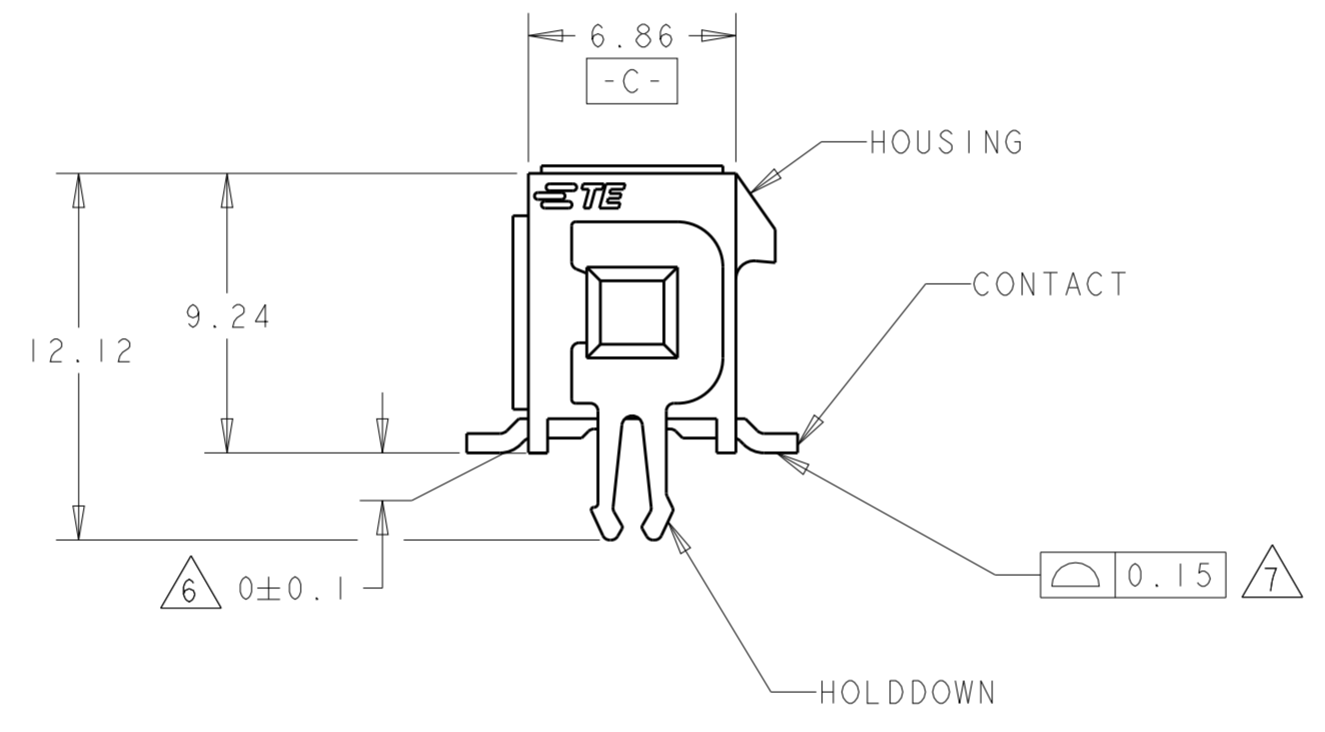
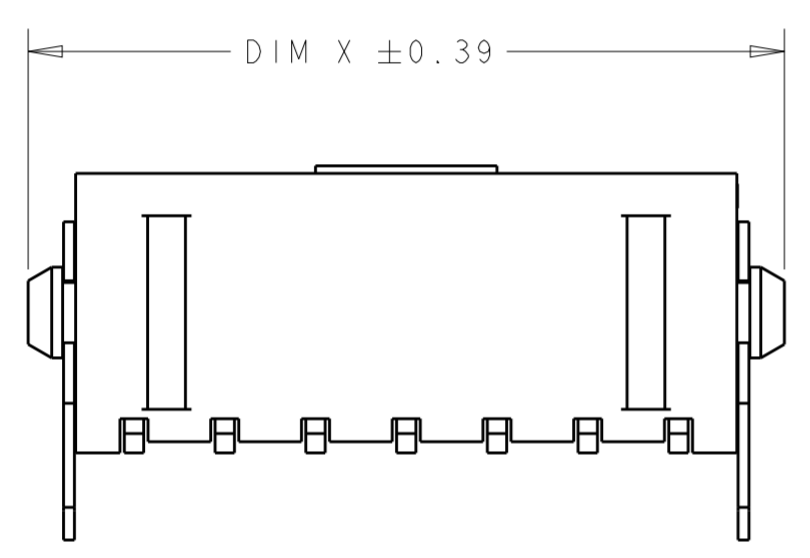


THIS DRAWING IS UNPUBLISHED. RELEASED FOR PUBLICATION 20
 © COPYRIGHT 20 ALL RIGHTS RESERVED.

LOC	DIST	REVISIONS					
CM	00	P	LTR	DESCRIPTION	DATE	DWN	APVD
		J		REVISED PER ECO-15-003291	27JULY2015	SC	DZ



- 1 MATERIAL:
CONTACTS - BRASS.
HOUSING - UL 94V-0 RATED HIGH TEMP NYLON, COLOR; BLACK.
HOLD DOWNS - PHOSPHOR BRONZE.
- 2 FINISH:
CONTACTS - 2.54µm MINIMUM TIN-LEAD OVER 0.127µm MINIMUM NICKEL.
HOLD DOWNS - 2.54µm TIN-LEAD.
- 4 RECOMMENDED PCB BOARD THICKNESS OF 1.57.
- 5 KAPTON VACUUM PICK UP BUTTON.
- 6 DIMENSION APPLIES TO SOLDER TAIL SURFACES AND STANDOFF SURFACES.
- 7 ALL SOLDER TAILS.
- 8 FINISH:
CONTACTS - 2.54µm MINIMUM MATTE TIN OVER 1.27µm MINIMUM NICKEL.
HOLD DOWNS - 2.54µm MATTE TIN.



FINISH	DIM V	DIM Y	DIM Z	DIM X	NO. OF POSN.	ASSEMBLY
8	36.86	37.3	33.00	40.00	24	5-794633-4
8	33.86	34.3	30.00	37.00	22	5-794633-2
8	30.86	31.3	27.00	34.00	20	5-794633-0
8	27.86	28.3	24.00	31.00	18	4-794633-8
8	24.86	25.3	21.00	28.00	16	4-794633-6
8	21.86	22.3	18.00	25.00	14	4-794633-4
8	18.86	19.3	15.00	22.00	12	4-794633-2
8	15.86	16.3	12.00	19.00	10	4-794633-0
8	12.86	13.3	9.00	16.00	8	3-794633-8
8	9.86	10.3	6.00	13.00	6	3-794633-6
8	6.86	7.3	3.00	10.00	4	3-794633-4
8	3.86	4.3	-	7.00	2	3-794633-2
2	36.86	37.3	33.00	40.00	24	2-794633-4
2	33.86	34.3	30.00	37.00	22	2-794633-2
2	30.86	31.3	27.00	34.00	20	2-794633-0
2	27.86	28.3	24.00	31.00	18	1-794633-8
2	24.86	25.3	21.00	28.00	16	1-794633-6
2	21.86	22.3	18.00	25.00	14	1-794633-4
2	18.86	19.3	15.00	22.00	12	1-794633-2
2	15.86	16.3	12.00	19.00	10	1-794633-0
2	12.86	13.3	9.00	16.00	8	794633-8
2	9.86	10.3	6.00	13.00	6	794633-6
2	6.86	7.3	3.00	10.00	4	794633-4
2	3.86	4.3	-	7.00	2	794633-2

METRIC

THIS DRAWING IS A CONTROLLED DOCUMENT.

DWN S. HOOVER 23-MAR-2005	TE Connectivity					
CHK C. JONES 23-MAR-2005						
APVD C. JONES 23-MAR-2005						
NAME SURFACE MOUNT, VERTICAL, MECHANICAL HOLD DOWN, ASSEMBLY, TIN HEADER, DUAL ROW, MICRO MATE-N-LOK (TM)						
DIMENSIONS: mm	TOLERANCES UNLESS OTHERWISE SPECIFIED:	PRODUCT SPEC	SIZE A2	CAGE CODE 0779	DRAWING NO. C-794633	RESTRICTED TO
0 PLC \pm	1 PLC \pm	2 PLC ± 0.13	3 PLC \pm	4 PLC \pm	ANGLES \pm	FINISH
MATERIAL	SEE TABLE	WEIGHT	CUSTOMER DRAWING		SCALE 4:1	SHEET 1 OF 1